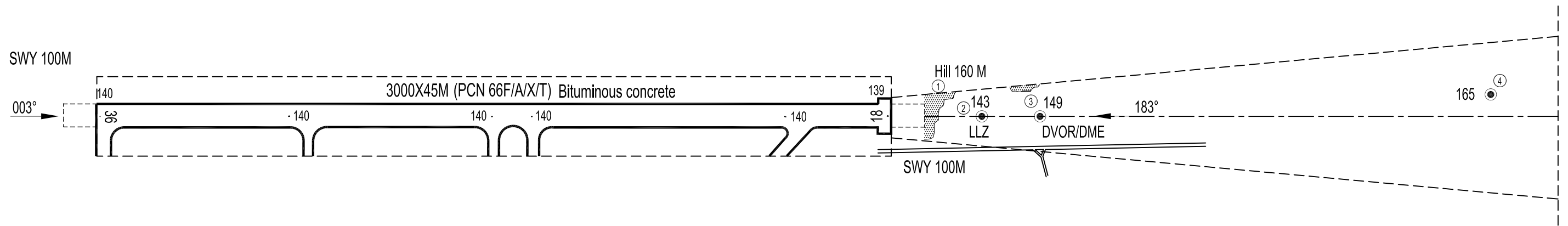
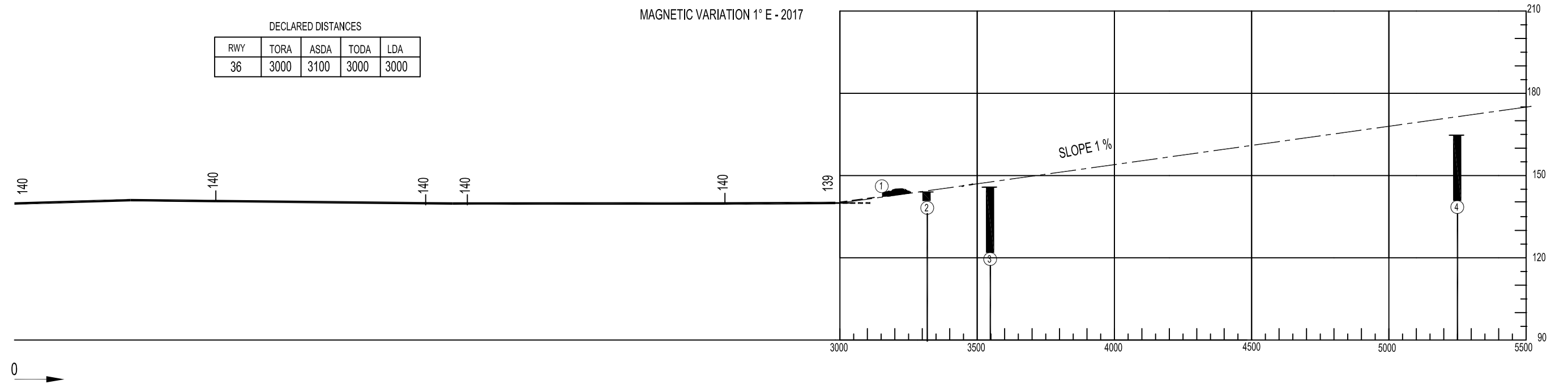


AERODROME OBSTACLE CHART -RWY 36 -ICAO-
TYPE A (OPERATING LIMITATIONS)

DIMENSIONS AND ELEVATIONS IN METRES



LEGEND

ID NUMBER	①
TREE OR BUSH	*
FLAGPOLE, TOWER, ANTENNA...	●
BUILDINGS OR LARGE STRUCTURE	■
RAILROAD	—+—+—+—+—
POWER TRANSMISSION LINE OR SUSPENDED CABLE	—+—+—+—+—
TERRAIN PENETRATING OBSTACLE PLANE	▨

