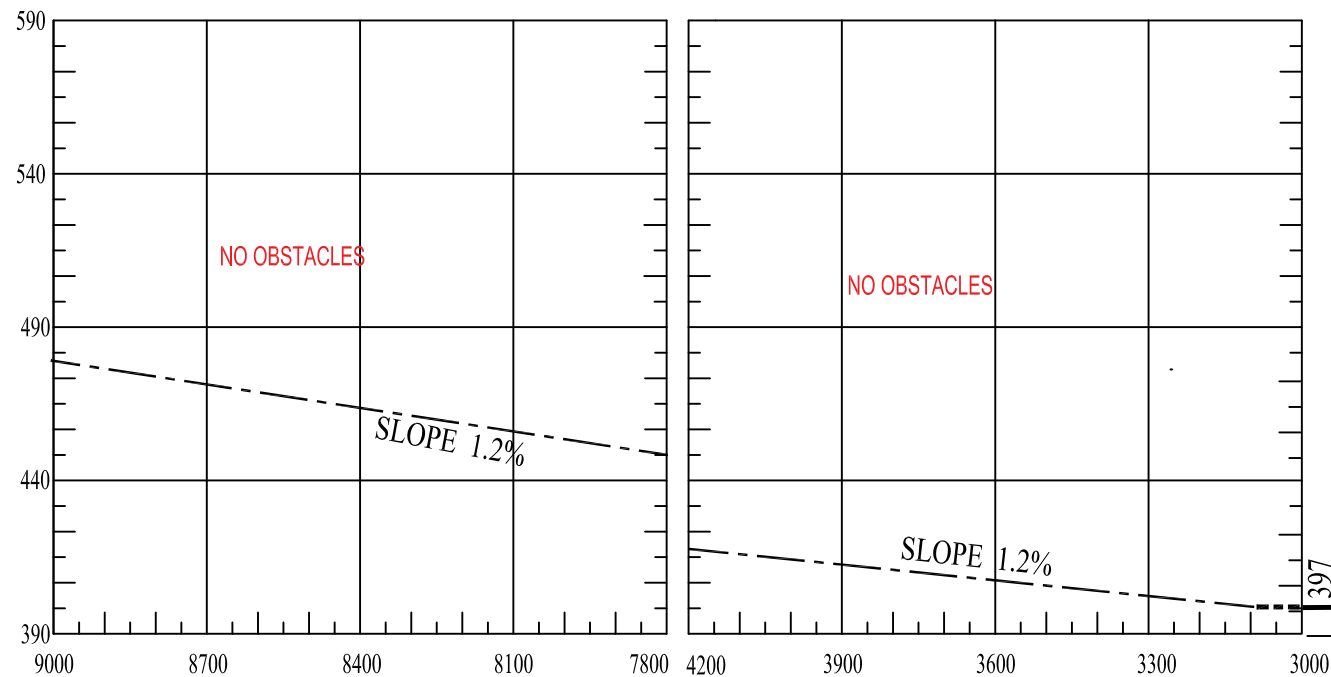


DIMENSIONS AND ELEVATIONS IN METRES

AERODROME OBSTACLE CHART -RWY 26 - ICAO -

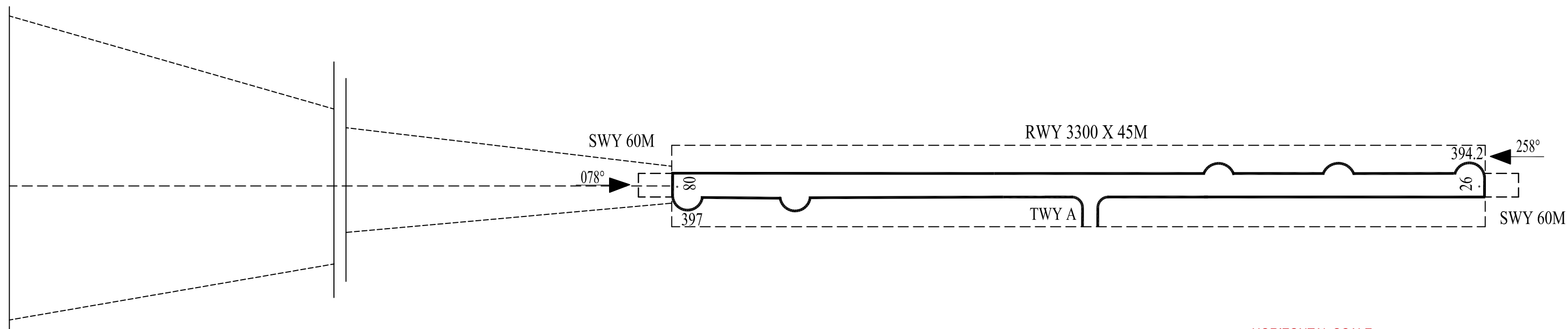
TYPE A (OPERATING LIMITATIONS)

MAGNETIC VARIATION 0° W - 2017



DECLARED DISTANCES

| RWY | TORA | ASDA | TODA | LDA |
|-----|------|------|------|------|
| 26 | 3300 | 3360 | 3300 | 3300 |



LEGEND

| | |
|--|-----------|
| ID NUMBER | ① |
| TREE OR BUSH | * |
| FLAGPOLE, TOWER, ANTENNA... | ● |
| BUILDINGS OR LARGE STRUCTURE | ■ |
| RAILROAD | —+—+—+—+— |
| POWER TRANSMISSION LINE OR SUSPENDED CABLE | —+—+—+—+— |
| TERRAIN PENETRATING OBSTACLE PLANE | ▨ |

HORIZONTAL SCALE



VERTICAL SCALE

