

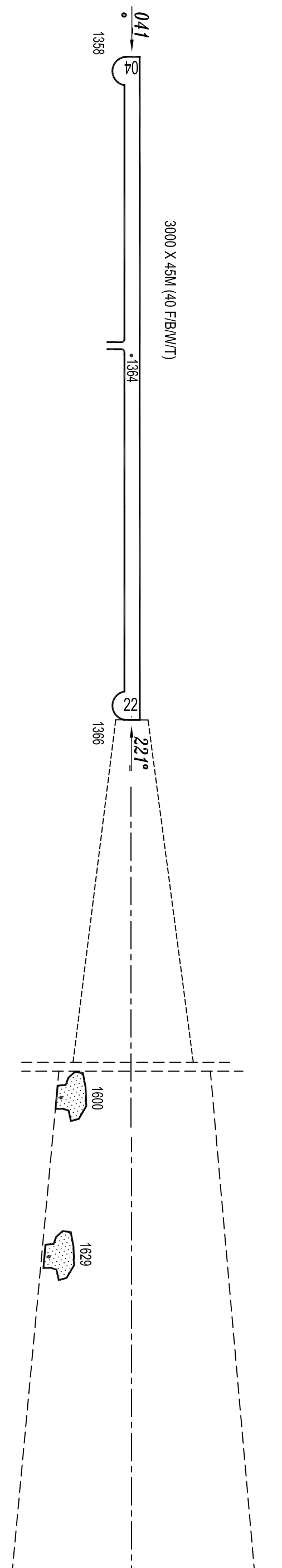
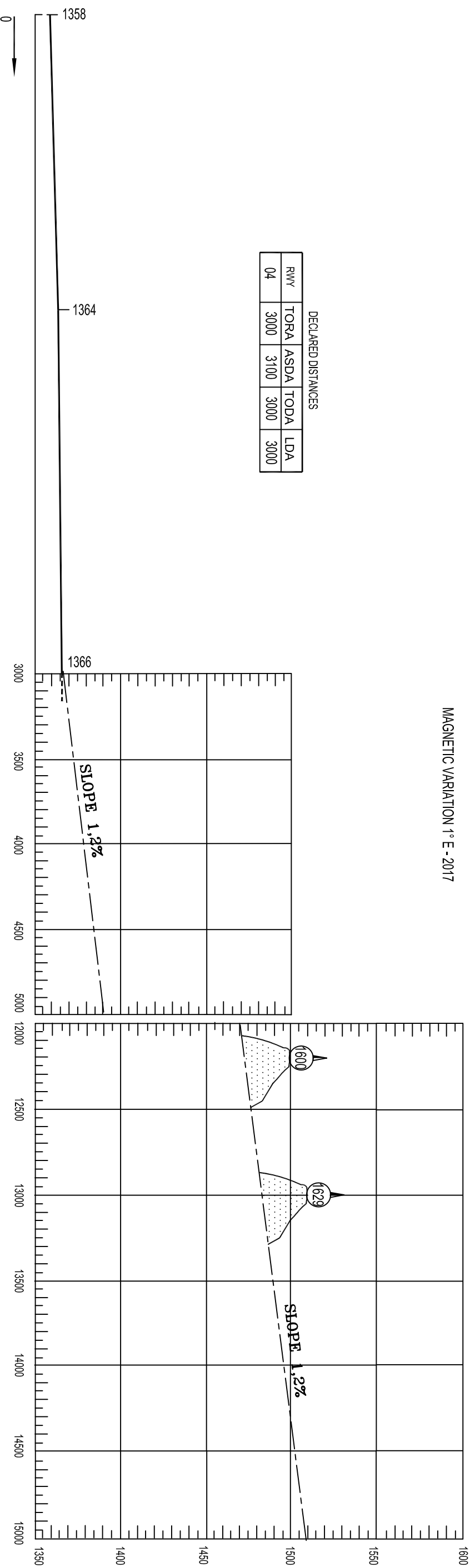
DIMENSIONS AND ELEVATIONS IN METRES

AERODROME OBSTACLE CHART - RWY 04 - ICAO -  
TYPE A (OPERATING LIMITATIONS)

MAGNETIC VARIATION 1° E - 2017

DECLARED DISTANCES

RWY	TORA	ASDA	TODA	LDA
04	3000	3100	3000	3000



LEGEND

ID NUMBER	SYMBOL
①	TREE OR BUSH
✱	FLAGPOLE, TOWER, ANTENNA...
■	BUILDINGS OR LARGE STRUCTURE
+	RAILROAD
—+—	POWER TRANSMISSION LINE OR SUSPENDED CABLE
▨	TERRAIN PENETRATING OBSTACLE PLANE

