

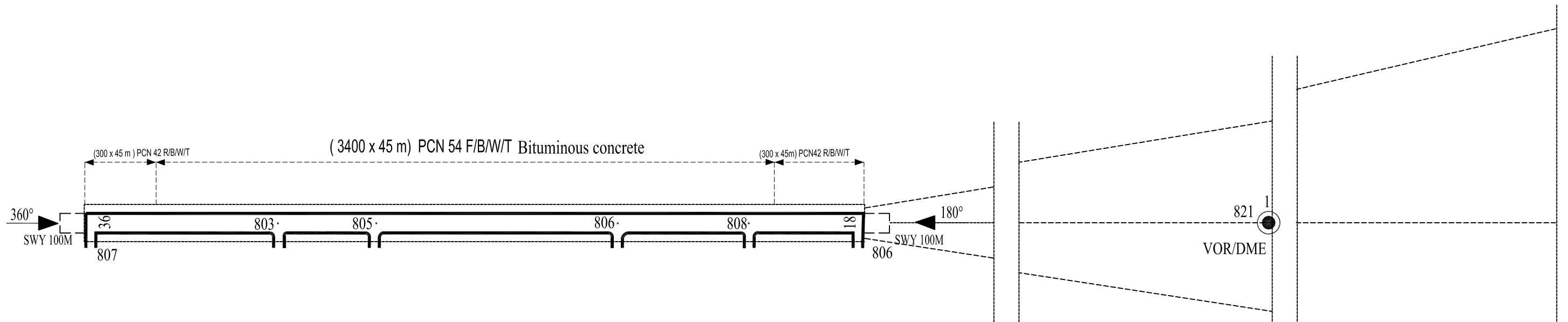
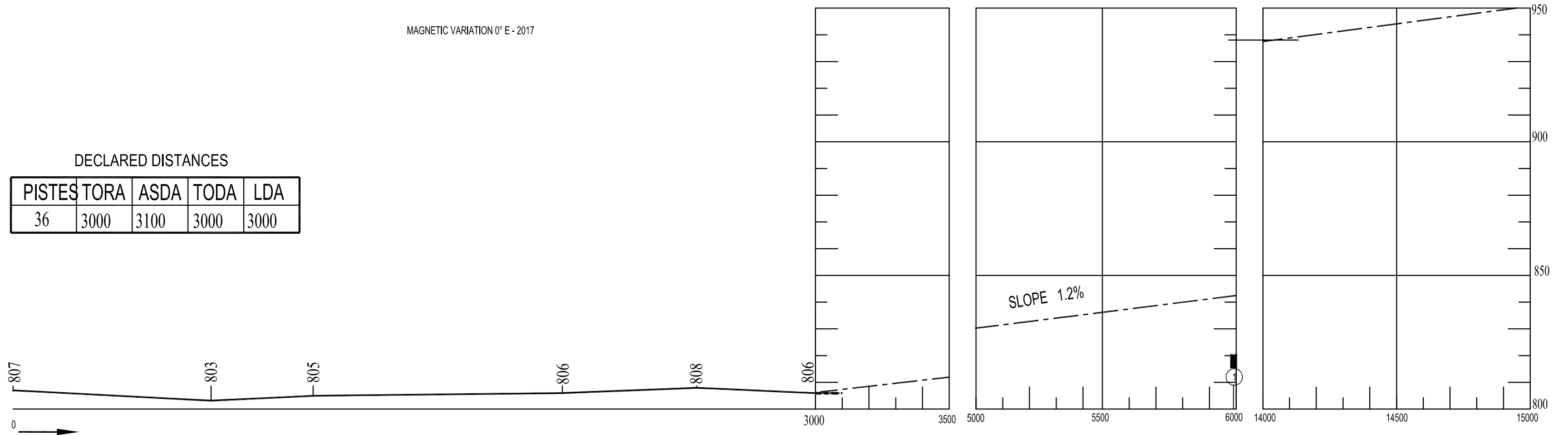
AERODROME OBSTACLE CHART -RWY 36 - ICAO -  
TYPE A (OPERATING LIMITATIONS)

DIMENSIONS AND ELEVATIONS IN METRES

MAGNETIC VARIATION 0° E - 2017

DECLARED DISTANCES

PISTES	TORA	ASDA	TODA	LDA
36	3000	3100	3000	3000



LEGEND

ID NUMBER	⊙
TREE OR BUSH	*
FLAGPOLE, TOWER, ANTENNA...	⊙
BUILDINGS OR LARGE STRUCTURE	■
RAILROAD	—+—+—
POWER TRANSMISSION LINE OR SUSPENDED CABLE	—+—+—
TERRAIN PENTERATING OBSTACLE PLANE	▨

