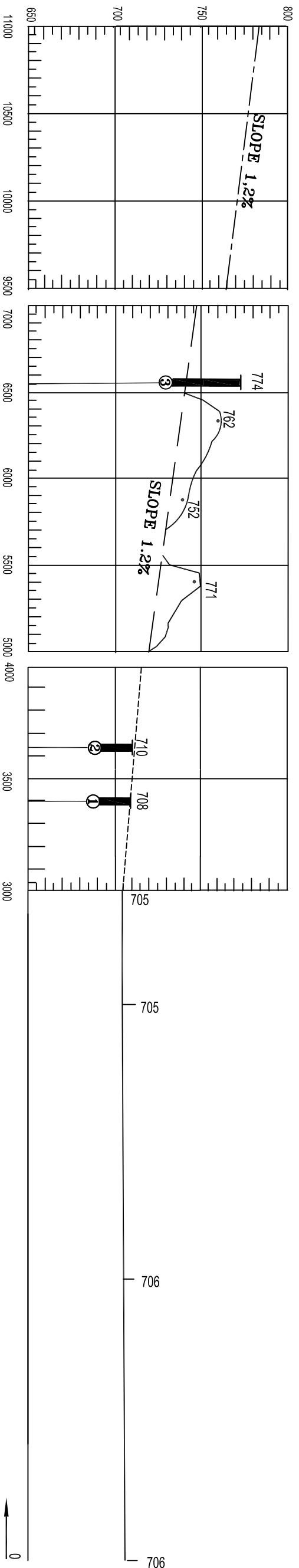


DIMENSIONS AND ELEVATIONS IN METRES

AERODROME OBSTACLE CHART - ICAO -
TYPE A (OPERATING LIMITATIONS)

MAGNETIC VARIATION 2°E - 2017



LEGENDE

IDENTIFICATION NUMBER	①
TREES OR BUSH	*
POLE, TOWER, SPIRE, ANTENNA, ETC...	⊙
BUILDING OR LARGE STRUCTURE	■
RAILROAD	—+—+—+—+—
POWER TRANSMISSION LINE OR SUSPENDED CABLE	—+—+—+—+—
TERRAIN PENETRATING OBSTACLE PLANE	▨

DECLARED DISTANCES				
RWY	TORA	ASDA	TODA	LDA
34	3000	3100	3000	3000

